

READ AND SAVE THESE INSTRUCTIONS

AIRCARE®

The Companion

TABLETOP EVAPORATIVE HUMIDIFIER MODELS: CM330A /CM330D USE AND CARE GUIDE



CM330AWHT/CM330ABLK
CM330DWHT/CM330DBLK

- ▶ Adjustable Humidistat
- ▶ Three-Speed Control
- ▶ Pour-in Fill

Français9

Español17



TO ORDER PARTS AND ACCESSORIES CALL 1.800.547.3888

COMFORT IS IN THE AIR

IMPORTANT SAFEGUARDS

General Safety Instructions

READ BEFORE USING YOUR HUMIDIFIER

DANGER: means if the safety information is not followed someone will be seriously injured or killed.

WARNING: means if the safety information is not followed someone could be seriously injured or killed.

CAUTION: means if the safety information is not followed someone may be injured.

1. To reduce the risk of fire or shock hazard, this humidifier has a polarized plug (one blade is wider than the other). Plug humidifier directly into a 120V, A.C. electrical outlet. Do not use extension cords. If the plug does not fully fit into the outlet, reverse plug. If it still does not fit, contact a qualified electrician to install the proper outlet. Do not change the plug in any way.
2. Keep the electric cord out of traffic areas. To reduce the risk of fire hazard, never put the electric cord under rugs, near heat registers, radiators, stoves or heaters.
3. Always unplug the unit before moving, cleaning or removing the fan assembly section from the humidifier, or whenever it is not in service.
4. Keep the humidifier clean. To reduce the risk of injury, fire or damage to humidifier, use only cleaners specifically recommended for humidifiers. Never use flammable, combustible or poisonous materials to clean your humidifier
5. Do not put foreign objects inside the humidifier.
6. Do not allow unit to be used as a toy. Close attention is necessary when used by or near children.
7. To reduce the risk of electrical hazard or damage to humidifier, do not tilt, jolt or tip humidifier while unit is running.
8. To reduce the risk of accidental electrical shock, do not touch the cord or controls with wet hands.
9. To reduce the risk of fire, do not use near an open flame such as a candle or other flame source.

WARNING: For your own safety, do not use humidifier if any parts are damaged or missing.

WARNING: To reduce risk of fire, electric shock, or injury always unplug before servicing or cleaning.

WARNING: To reduce the risk of fire or shock hazard, do not pour or spill liquid into control or motor area. If controls get wet, let them dry completely and have unit checked by authorized service personnel before plugging in.

INTRODUCTION

Your new humidifier adds invisible moisture to your home by moving dry inlet air through a saturated wick. As air moves through the wick, the water evaporates into the air, leaving behind any white dust, minerals, or dissolved and suspended solids. Because the water is evaporated, there is just clean and invisible moist air.

As the evaporative wick traps accumulated minerals from the water, its ability to absorb and evaporate water decreases. We recommend changing the wick at the beginning of every season. In hard water areas, more frequent replacement may be necessary to maintain your humidifier's efficiency.

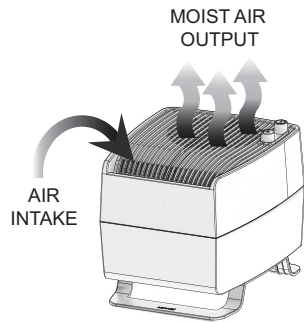
Use only AIRCARE® or Essick Air® brand replacement wicks and chemicals. To order parts, wicks and chemicals call 1-800-547-3888. This humidifier uses wick # SGL1040. Only the AIRCARE® or Essick Air® evaporative wick guarantees the certified output of your humidifier. Use of other brands of wicks voids the certification of output and may void your warranty.

HOW YOUR HUMIDIFIER WORKS

Your new evaporative humidifier is designed to satisfy home humidity requirements through the principle of evaporation of water in the air.

Once the wick becomes saturated, air is drawn in, passes through the wick and moisture is absorbed into the air. All evaporation occurs in the humidifier so any residue remains in the wick.

This natural process of evaporation creates no white dust like some other humidifiers



Description	CM330
Water capacity	1.6 gallons
*Sq. ft. coverage	Up to 1000 (Tight Construction)
Fan Speeds	3
Replacement Wick	SGL1040
Adjustable humidistat	Yes
ETL Listed	Yes
Volts	120
Hertz	60
Watts	60

NOTES ON LOCATION:

In order to get the most effective use from your humidifier, it is important to position the unit where the most humidity is needed or where the moist air will be circulated throughout the house such as near a cold air return. If the unit is positioned close to a window, condensation may form on the window pane or walls. If this occurs the unit should be repositioned in another location.

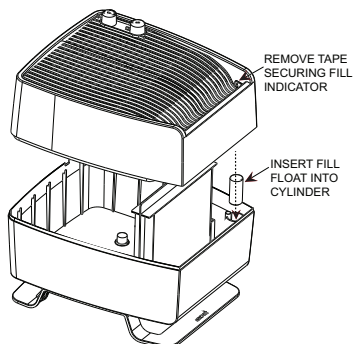
Do NOT position the unit directly in front of a hot air duct or radiator. Do NOT place on soft carpet.

Due to release of cool, moist air from the humidifier, it is best to direct air away from thermostat and hot air registers. Position humidifier next to an inside wall on a level place at least 4 inches away from the wall or curtains.

ASSEMBLY

Unpack humidifier from carton. Remove all packaging materials, wick, etc. from box.

- 1) For shipping purposes, the fill float has been taped inside the base.
- 2) Remove the tape and insert the fill float into the cylinder at the front right corner of the unit.

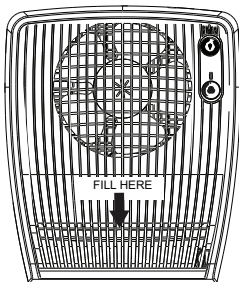
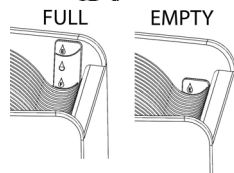


WATER FILL

CAUTION: Before filling, ensure unit is turned OFF.

This unit has a low water indicator in the corner of the fill grill.

- 1) To fill the reservoir, carefully pour water into the sloped portion of the front grill.
- 2) Base capacity is 1.6 gallons. **DO NOT OVERFILL.**



CAUTION: If water spills on the chassis, it must be allowed to dry completely before turning on the humidifier. If you have only softened water available in your home, you can use it, but you will notice a build-up of minerals on the evaporative wicks much sooner.

NOTE: We recommend using AIRCARE® or Essick Air® Bacteriostat Treatment when you refill the water reservoir to eliminate bacterial growth. Add bacteriostat according to the instructions on the bottle.

Under no circumstances should you use Water Treatment products intended for Rotobelt or Ultrasonic humidifiers.

Replacement Parts Available For Purchase	
Description	Part Number
CM330A WHT (white - analog)	
Fan Speed Knob	1B72798F
Humidity Control Knob	1B72798H
Chassis	1B72871
CM330A BLK (black - analog)	
Fan Knob	1B72794F
Humidity Control Knob	1B72794H
Chassis	1B72872
CM330D WHT (white - digital))	
Chassis	1B72873
CM330D BLK (black - digital)	
Chassis	1B72874
COMMON	
Wick	SGL1040
Float	1B72796

Parts and accessories may be ordered by calling 1-800-547-3888, or visit www.essickair.com or www.AIRCAREproducts.com. Please have model number of humidifier available when ordering.

REPLACEMENT OF WICK

CAUTION: Before changing wick, ensure unit is turned OFF and unplugged.

NOTE: This unit uses model SGL1040 wick. Replace the wick at the beginning of each season, and more often in areas with hard water.

- 1) To replace wick, lift off the chassis.
- 2) Remove the used wick and replace with a fresh wick.

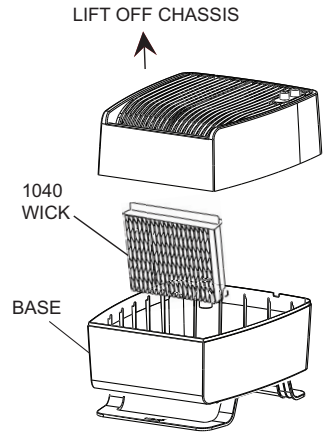
ABOUT HUMIDITY

Where you set your desired humidity levels depends on your personal comfort level, the outside temperature and the inside temperature.

NOTE: Recent CDC tests show that the chances of flu transmission are greatly reduced at levels of 43% humidity.

You may wish to purchase a hygrometer* to measure the humidity level in your home. The following is a chart of recommended humidity settings.

When Outdoor Temperature is:		Recommended Indoor Relative Humidity (RH) is
°F	°C	
-20	-30°	15 - 20%
-10°	-24°	20 - 25%
2°	-18°	25 - 30%
10°	-12°	30 - 35%
20°	-6°	35 - 40%
30°	-1°	40 - 45%



IMPORTANT: Water damage may result if condensation starts to form on windows or walls. Humidity SET point should be lowered until condensation no longer forms. We recommend room humidity levels do not exceed 50%.

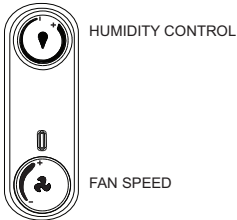
NOTE: External hygrometer readings and humidistat readings may differ. Humidity levels can vary significantly even in one room.

*Model 1990 digital hygrometer is available for purchase by calling 1-800-547-3888, or visit www.essickair.com or www.AIRCAREproducts.com.

CONTROLS AND OPERATION

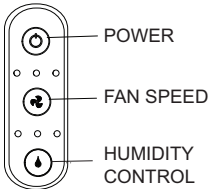
NOTE: The humidifier should be placed at least FOUR inches away from any walls or curtains, and away from heat registers. Do not place on soft carpet. Unrestricted airflow into the unit will result in the best efficiency and performance.

MODELS CM330A (ANALOG CONTROL PANEL)



- 1) Turn the unit on by turning the speed knob to the first speed.
- 2) This fan knob has three speed settings, High, Medium and Low. Turn the knob clockwise to decrease speed.
- 3) The humidity level knob is located above the fan speed knob. Increase humidity by turning the upper knob clockwise.

MODELS CM330D (DIGITAL CONTROL PANEL)



- 1) Turn the unit on by pressing the Power button.
- 2) Press the fan button to adjust the fan speed. The indicator lights above will illuminate to indicate High, Medium and Low speed.
- 3) Press the humidity button to increase the humidity level. The indicator lights above will indicate low, medium or high humidity selection.

NOTE: If excessive condensation forms on wall or windows, reduce fan to a lower speed setting or change location.

CARE AND MAINTENANCE

Cleaning your humidifier regularly helps eliminate odors and bacterial and fungal growth. Ordinary household bleach is a good disinfectant and can be used to wipe out the humidifier base and bottle/reservoir after cleaning. We recommend cleaning your humidifier at least once every two weeks to maintain optimum environmental conditions for your home. **We also recommend using AIRCARE® or Essick Air® Bacteriostat Treatment each time you refill your humidifier to eliminate bacterial growth.** Add bacteriostat according to the instructions on the bottle. Please call 1-800-547-3888 or visit www.essickair.com or www.AIRCAREproducts.com to order Bacteriostat Treatment, part number 1970.

CLEANING INSTRUCTIONS

- 1) Turn off unit completely and unplug from outlet.
- 2) Lift off chassis from base and set aside. Carry base to cleaning basin/sink.
- 3) Lift wick from base, allow water to drain from wick into base and then set aside.

REMOVING SCALE

- 4) Empty base into sink. Remove any remaining water from base with a sponge.
- 5) Fill base to "MAX FILL" line with water and then add 8oz. (1cup) of white vinegar. Let solution stay 20 minutes, then empty.
- 6) Clean all interior surfaces of base with a soft brush. Dampen soft cloth with white vinegar and wipe out base to remove scale.
- 7) Rinse base thoroughly with fresh water and remove scale and cleaning solution.

DISINFECTING UNIT

- 8) Fill the base $\frac{1}{2}$ full with water and add 1 teaspoon of bleach. Let solution stay for 20 minutes, then rinse with water until bleach smell is gone. Dry interior surfaces with clean cloth. Wipe down the outside of the unit with a soft cloth dampened with fresh water.
- 9) Refill unit and reassemble per **ASSEMBLY** instructions.

SUMMER STORAGE

- 1) Clean unit as outlined above.
- 2) Discard used wick and any water in the reservoir. Allow to dry thoroughly before storage. **Do not** store with water inside reservoir.
- 3) Do not store unit in an attic or other high-temperature area, as damage is probable.
- 4) Install new filter at beginning of season.

HUMIDIFIER TWO YEAR LIMITED WARRANTY POLICY

SALES RECEIPT REQUIRED AS PROOF OF PURCHASE FOR ALL WARRANTY CLAIMS.

This warranty is extended only to the original purchaser of this humidifier when the unit is installed and used under normal conditions against defects in workmanship and materials as follows:

- Two (2) years from date of sale on the unit, and
- Thirty (30) days on wicks and filters, which are considered disposable components and should be replaced periodically.

The manufacturer will replace the defective part/product, at its discretion, with return freight paid by the manufacturer. It is agreed that such replacement is the exclusive remedy available from the manufacturer and that TO THE MAXIMUM EXTENT PERMITTED BY LAW, THE MANUFACTURER IS NOT RESPONSIBLE FOR DAMAGES OF ANY KIND, INCLUDING INCIDENTAL AND CONSEQUENTIAL DAMAGE OR LOSS OF PROFITS OR REVENUES.

Some states do not allow limitations on how long an implied warranty lasts, so the above limitations may not apply to you.

Exclusions from this warranty

We are not responsible for replacement of wicks and filters.

We are not responsible for any incidental or consequential damage from any malfunction, accident, misuse, alterations, unauthorized repairs, abuse, including failure to perform reasonable maintenance, normal wear and tear, nor where the connected voltage is more than 5% above the nameplate voltage.

Alterations include the substitution of name brand components including, but not limited to wicks and bacteria treatment.

We are not responsible for any damage from the use of water softeners or treatments, chemicals or descaling materials.

We are not responsible for the cost of service calls to diagnose the cause of trouble, or labor charge to repair and/or replace parts.

No employee, agent, dealer or other person is authorized to give any warranties or conditions on behalf of the manufacturer. The customer shall be responsible for all labor costs incurred.

This warranty will be null & void if purchaser attempts to repair or replace any parts which are mechanical or electrical.

Some states do not allow the exclusion or limitation of incidental or consequential damages, so the above limitations or exclusions may not apply to you.

How to obtain service under this warranty

Within the limitations of this warranty, purchaser with inoperative units should contact customer service at **800-547-3888** for instructions on how to obtain service within warranty as listed above.

This warranty gives the customer specific legal rights, and you may also have other rights which vary from province to province, or state to state.

Register your product at www.essickair.com or at www.AIRCAREproducts.com.

AIRCARE®

Le Compagnon

TABLE

**HUMIDIFICATEUR
À ÉVAPORATION**

MODÈLE CM330

**MANUEL D'UTILISATION
ET D'ENTRETIEN**



CM330AWHT/CM330ABLK
CM330DWHT/CM330DBLK

- ▶ Humidostat réglable
- ▶ Ventilateur à trois vitesses
- ▶ Facile remplissage



Anglais9

Español17

POUR COMMANDER DES PIÈCES ET DES ACCESSOIRES APPELEZ LE
1.800.547.3888

COMFORT IS IN THE AIR

MISES EN GARDE IMPORTANTES

Consignes générales de sécurité

À LIRE AVANT D'UTILISER VOTRE HUMIDIFICATEUR

DANGER : signifie que si les consignes de sécurité ne sont pas respectées, quelqu'un sera gravement blessé ou tué.

AVERTISSEMENT : signifie que si les consignes de sécurité ne sont pas respectées, quelqu'un risque d'être gravement blessé ou tué.

PRUDENCE : signifie que si les consignes de sécurité ne sont pas respectées, quelqu'un sera peut-être blessé.

1. Pour réduire le risque d'incendie ou de choc électrique, cet humidificateur possède une fiche polarisée (une broche est plus large que l'autre). Branchez l'humidificateur directement dans une prise électrique de 120 V, AC. N'utilisez pas de rallonges. Si la fiche n'entre pas complètement dans la prise, inversez la fiche. Si elle ne rentre toujours pas, contactez un électricien qualifié pour installer une prise adéquate. Ne modifiez la fiche en aucun cas.
2. Ne laissez pas traîner le cordon électrique dans des passages très fréquentés. Pour réduire le risque d'incendie, ne placez jamais le cordon électrique sous un tapis, ou à proximité d'une bouche de chaleur, d'un radiateur, d'un four ou d'un appareil de chauffage.
3. Débranchez toujours l'appareil avant de le déplacer, le nettoyer ou de retirer l'ensemble de ventilation, ou chaque fois qu'il n'est pas en service.
4. Veillez à ce que l'humidificateur reste propre. Pour réduire le risque de blessure, d'incendie ou de dommages à l'humidificateur, utilisez uniquement des produits de nettoyage spécialement recommandés pour les humidificateurs. N'utilisez jamais de matériaux inflammables, combustibles ou toxiques pour nettoyer votre humidificateur.
5. Ne placez pas de corps étrangers à l'intérieur de l'humidificateur.
6. Ne laissez pas des enfants se servir de cet appareil comme d'un jouet. Il faut faire très attention quand cet appareil est utilisé par des enfants ou à proximité d'enfants.
7. Pour réduire le risque de danger électrique ou d'endommagement de l'humidificateur, n'inclinez pas, ne heurtez pas et ne faites pas basculer l'humidificateur quand il est en marche.
8. Pour réduire le risque de choc électrique accidentel, ne touchez pas le cordon ou les commandes avec les mains mouillées.
9. Pour réduire le risque d'incendie, n'utilisez pas l'humidificateur près d'une flamme nue comme une bougie ou une autre source de flamme.

AVERTISSEMENT : Pour votre propre sécurité, n'utilisez pas l'humidificateur si des pièces sont endommagées ou manquantes.

AVERTISSEMENT : Pour réduire les risques d'incendie, de choc électrique ou de blessure, débranchez toujours l'appareil avant d'effectuer une réparation ou un nettoyage.

AVERTISSEMENT : Pour réduire le risque d'incendie ou de choc électrique, ne versez pas et ne renversez pas liquide dans la zone des commandes ou du moteur. Si les commandes sont mouillées, laissez-les sécher complètement et faite

INTRODUCTION

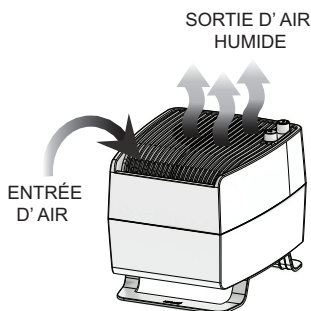
Votre nouvel humidificateur ajoute de l'humidité dans la maison en faisant passer de l'air sec à travers un filtre à mèche saturée. Au fur et à mesure que l'air passe au travers du filtre à mèche, l'eau s'évapore dans l'air en laissant derrière elle toutes poussières blanches, minéraux et solides dissous ou en suspension. Puisque l'eau est évaporée, il n'y a que de l'air humidifié, propre et invisible.

Au fur et à mesure que le filtre à mèche d'évaporation emprisonne et accumule les minéraux contenus dans l'eau, sa capacité d'absorption et d'évaporation d'eau diminue. Nous recommandons de changer le filtre à mèche au début de chaque saison. Dans les régions où l'eau est dure, un remplacement plus fréquent peut être nécessaire afin de maintenir l'efficacité de votre humidificateur.

N'utilisez que des produits chimiques et filtres à mèche AIRCARE® ou Essick Air® en remplacement. Pour commander des pièces, filtres à mèche et produits chimiques, appelez le 1-800-547-3888. Le humidificateur utilise de filtre à mèche n° SGL1040. Seuls les filtres à mèche d'évaporation de marque AIRCARE® ou Essick Air® garantissent le meilleur rendement de votre humidificateur. L'utilisation de filtres à mèche d'autres marques nuit aux performances de l'appareil et peut annuler votre garantie.

FONCTIONNEMENT DE L'HUMIDIFICATEUR

Votre nouvel humidificateur a été conçu pour satisfaire les exigences d'humidité domestique au moyen du principe d'évaporation d'eau dans l'air. Une fois que le filtre est saturé, l'air est aspiré, passe à travers le filtre et l'humidité est absorbée dans l'air. Toute l'évaporation a lieu dans l'humidificateur ainsi aucun résidu ne reste dans le filtre. Ce procédé naturel d'évaporation élimine virtuellement la poussière blanche.



Description	CM330
Capacité d'eau	4.54 L
*Portée en m²	Jusqu'à 93 Construction étanche
Vitesses du ventilateur	2
Mèche de rechange	SGL1040
Hygrostat	Oui
ETL mentionnés	Oui
Volts	120
Hertz	60
Watts	60

REMARQUES SUR L'EMPLACEMENT:

Afin de tirer le meilleur parti de votre humidificateur, il est important de placer l'appareil à un endroit où le plus d'humidité est nécessaire ou là où l'air humide circulera dans toute la maison comme à proximité d'un retour d'air froid.

Si l'appareil est placé près d'une fenêtre, de la condensation peut se former sur la vitre. Si cela se produit, il faut déplacer l'appareil.

Ne placez PAS l'appareil directement devant une bouche d'air chaud ou un radiateur. NE le placez PAS sur de la moquette ou un tapis.

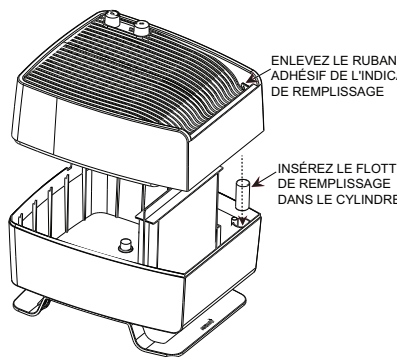
Du fait que de l'air humide et frais est libéré de l'humidificateur, il est préférable de ne pas diriger l'air vers un thermostat ou des bouches d'air chaud.

Placez l'humidificateur à côté d'un mur intérieur sur une surface plane à au moins 4 pouces (10 cm) du mur ou des rideaux.

ASSEMBLAGE

Déballiez l'humidificateur. Retirez de la boîte tous les matériaux d'emballage, filtre à mèche, etc.

- 1) Pour le transport, le flotteur de remplissage a été fixé à l'intérieur de la base.
- 2) Retirez le ruban adhésif et insérez le tube du flotteur de remplissage dans le cylindre se trouvant dans le coin avant droit de l'appareil.



REPLISSAGE D'EAU

MISE EN GARDE : Avant le remplissage, assurez-vous que l'appareil est éteint.

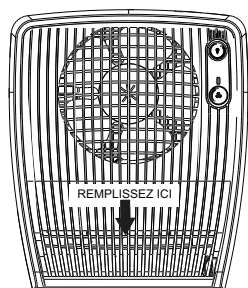
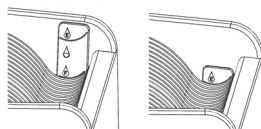
Cet appareil est muni d'un indicateur de manque d'eau dans le coin de la grille de remplissage.

- 1) Pour remplir le réservoir, versez délicatement l'eau dans la partie inclinée de la grille avant.
- 2) La capacité du réservoir est 1,6 gallon (6 litres).

NE REMPLISSEZ PAS TROP.

PLEIN

VIDE



MISE EN GARDE : Si les commandes sont mouillées, laissez-les sécher complètement et faites vérifier l'unité par le personnel de service autorisé avant de brancher. Si l'eau du robinet est adoucie, vous remarquerez la formation d'un mas de minéraux sur les mèche. La capacité de la base est de 1.2 gallons. **NE PAS DEPASSER CE NIVEAU.**

REMARQUE : Nous recommandons l'utilisation d'AIRCARE® ou du traitement bactériostatique d'Essick Air® à chaque remplissage du réservoir d'eau afin d'éliminer la croissance bactérienne. Ajoutez le produit de traitement selon les instructions figurant sur le récipient.

Vous ne devez en aucun cas utiliser des produits de traitement de l'eau conçus pour des humidificateurs d'air ultrasoniques ou de type « Roto Belt ».

PIÈCES DE REMPLACEMENT*

Description	Numéro de Pièce
CM330A WHT (blanc -)	
Bouton de vitesse du ventilateur	1B72798F
Bouton de commande d'humidité	1B72798H
Châssis	1B72871
CM330A BLK (noir -)	
Bouton de vitesse du ventilateur	1B72794F
Bouton de commande d'humidité	1B72794H
Châssis	1B72872
CM330D WHT (blanc - numérique)	
Chassis	1B72873
CM330D BLK (noir - numérique)	
Chassis	1B72874
COMMUN	
Filtre à mèche	SGL1040
Flotteur	1B72796

*Pièces et accessoires peuvent être commandés en appelant 1.800.547.3888 ou visiter www.essickair.com ou www.AIRCAREproducts.com. Se il vous plaît avoir le numéro de modèle lors d'une commande.

REPLACEMENT DES MÊCHES

CAUTION: Before changing wick, ensure unit is turned OFF and unplugged.

REMARQUE : Cet appareil utilise le modèle de filtre à mèche SGL 1040. Remplacez le filtre à mèche au début de chaque saison, et plus souvent dans les régions où l'eau est dure.

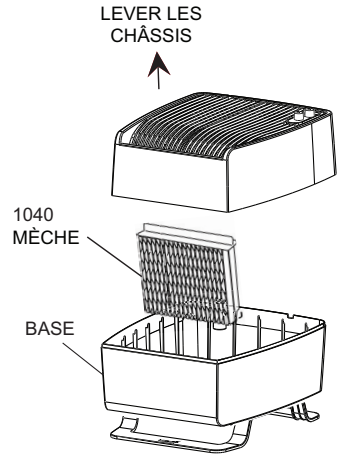
- 1) Pour remplacer le filtre à mèche, soulevez le châssis.
- 2) Retirez le filtre à mèche usagé et remplacez-le par un filtre neuf.

À PROPOS DE L'HUMIDITÉ

Le réglage du niveau d'humidité souhaité dépend de votre niveau de confort personnel, la température extérieure et la température intérieure.

REMARQUE: Les tests CDC récentes montrent que les risques de transmission de la grippe sont considérablement réduits à des niveaux de 43% d'humidité.

*Vous pouvez acheter un hygromètre pour mesurer le niveau d'humidité chez vous. Voici un tableau des taux d'humidité recommandés.



IMPORTANT: Des dégâts causés par l'eau peuvent se produire si de la condensation commence à se former sur les fenêtres ou les murs. Le point de réglage (SET) de l'humidité doit être réduit jusqu'à ce que la condensation cesse de se former. Nous recommandons que les niveaux d'humidité ambiante ne dépassent pas 50 %.

Lorsque la température extérieure est de :		L'humidité relative (HR) recommandée à l'intérieur d'une habitation est de :
°F	°C	
-20	-30°	15 - 20%
-10°	-24°	20 - 25%
2°	-18°	25 - 30%
10°	-12°	30 - 35%
20°	-6°	35 - 40%
30°	-1°	40 - 45%

***REMARQUE :** Lectures de externes et des lectures hygostat peuvent différer. Les niveaux d'humidité peuvent varier considérablement, même dans une pièce

* Modèle 1990 hygromètre numérique est disponible à l'achat par téléphone au 1-800-547-3888 ou visite www.essickair.com ou www.AIRCAREproducts.com.

COMMANDES ET MODE OPÉRATOIRE

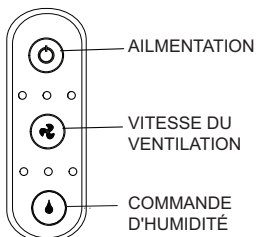
NOTE: L'humidificateur devrait être placé à au moins QUATRE pouces de distance des murs et les rideaux , ou des indicateur de température. NE PAS mettre sur de la moquette.

MODÈLES CM330A (PANNEAU DE COMMANDE ANALOGIQUE)



- 1) Allumez l'appareil en tournant le bouton de vitesse à la première vitesse.
- 2) Ce bouton de ventilateur dispose de trois réglages de vitesse: élevé, moyen et faible. Tournez le bouton vers la droite à réduire la vitesse.
- 3) Le bouton de niveau d'humidité est situé *au-dessus du bouton de vitesse du ventilateur*. Augmentez l'humidité en tournant le bouton supérieur vers la droite.

MODÈLES CM330D (PANNEAU DE COMMANDE NUMÉRIQUE)



- 1) Allumez l'appareil en appuyant sur le bouton d'alimentation.
- 2) Appuyez sur le bouton du ventilateur pour régler la vitesse du ventilateur. Les voyants au-dessus s'allumeront pour indiquer la vitesse faible, moyenne ou élevée.
- 3) Appuyez sur le bouton d'humidité pour augmenter le niveau d'humidité. Les voyants au-dessus indiqueront le niveau d'humidité faible, moyen ou élevé.

REMARQUE : Si de la condensation excessive se forme sur le mur ou les fenêtres, réglez le ventilateur à une vitesse inférieure ou changez l'emplacement de l'humidificateur.

ENTRETIEN ET RÉPARATION

Nettoyer régulièrement l'humidificateur permet d'éliminer les odeurs, bactéries et autres champignons. De l'eau de javel ordinaire est très efficace et peut être utilisée pour nettoyer la base. Nous vous recommandons de nettoyer votre humidificateur au moins une fois par semaine pour maintenir les conditions optimales de fonctionnement. Nous vous recommandons d'utiliser un traitement antibactérien comme Essick Air Bacteriostat N° 1970 lorsque vous remplissez le réservoir, pour éliminer les bactéries. Appelez le 1-800-547-3888, ou visitez www.essickair.com, ou www.AIRCAREproducts.com pour commander.

INSTRUCTIONS DE NETTOYAGE

- 1) Éteignez complètement l'appareil et débranchez-le de la prise.
- 2) Soulevez le châssis de la base et mettez-le de côté. Amenez la base vers une bassine ou un évier.
- 3) Soulevez le filtre à mèche de la base, laissez écouler l'eau du filtre dans la base, puis mettez-le de côté.

DÉTARTRAGE

- 4) Videz la base dans l'évier. Retirez toute l'eau restante de la base avec une éponge.
- 5) Remplissez d'eau la base jusqu'au trait « MAX FILL », puis ajoutez 8 oz (1 tasse) de vinaigre blanc. Laissez agir la solution pendant 20 minutes, puis videz-la.
- 6) Nettoyez toutes les surfaces intérieures de la base avec une brosse douce. Essuyez la base avec un chiffon doux imbibé de vinaigre blanc pour enlever le tartre.
- 7) Rincez minutieusement la base à l'eau fraîche et éliminez le tartre et la solution de nettoyage.

DÉSINFECTER LA BASE

- 8) Remplir la base d'eau jusqu'au niveau « MAX » et ajouter 3 cuillères de javel pure. Laisser agir pendant 20 minutes.
- 9) Vider et rincer soigneusement. Remplir la base avec de l'eau et remonter l'unité.

ENTREPOSAGE L'ÉTÉ

- 1) Nettoyez l'appareil comme décrit ci-dessus.
- 2) Jetez les filtres à mèche usés et toute eau dans le récipient. Laissez le boîtier sécher complètement avant de le ranger. **N'**entrez pas l'appareil avec de l'eau dans le récipient.
- 3) N'entrez pas l'appareil dans un grenier ou dans un endroit où la température est élevée.
- 4) Installez un nouveau filtre à mèche avant le début de la saison.

GARANTIE LIMITÉE À DEUX ANS

FACTURE REQUISE COMME PREUVE D'ACHAT POUR TOUTE RÉCLAMATION VISANT À FAIRE VALOIR LA GARANTIE.

Cette garantie est accordée uniquement à l'acheteur original du présent humidificateur lorsque l'appareil est installé et utilisé dans des conditions normales, contre les défauts de matériaux et de fabrication comme suit:

- Deux (2) ans à compter de la date de vente de l'appareil, et
- Trente 30 jours sur les mèches et filtres, qui sont considérés comme des éléments jetables et doivent être remplacés périodiquement.

Le fabricant remplacera la pièce/le produit défectueux, à sa discrétion, en prenant à sa charge les frais de transport pour le renvoi du produit au client. Il est convenu qu'un tel remplacement est le seul recours offert par le fabricant et que, **DANS LA MESURE MAXIMALE AUTORISÉE PAR LA LOI, LE FABRICANT NE SAURAIT ÊTRE TENU RESPONSABLE DE DOMMAGES QUELCONQUES, Y COMPRIS DES DOMMAGES ACCESSOIRES OU SECONDAIRES, OU DES PERTES DE BÉNÉFICES OU DE REVENUS.**

Certains États ne permettent pas de limitations concernant la durée des garanties tacites, aussi les limitations ci-dessus peuvent-elles ne pas vous concerner.

Exclusions de cette garantie

Nous n'assumons pas la responsabilité du remplacement des mèches et des filtres.

Nous n'assumons pas la responsabilité des garnitures qui sont considérées comme jetables et doivent être remplacées périodiquement.

Les modifications comprennent la substitution d'éléments de marque, y compris, mais sans s'y limiter, les mèches d'humidificateur et le traitement des bactéries.

Nous n'assumons pas la responsabilité de tout dommage résultant de l'utilisation d'adoucisateurs d'eau ou de traitements, de produits chimiques ou de matériaux de détartrage.

Nous n'assumons pas la responsabilité du coût des appels au service en vue de diagnostiquer la cause du problème, ni les frais de main d'oeuvre pour la réparation ou de remplacement des pièces.

Aucun employé, agent, revendeur ni autre personne n'est autorisé à accorder des garanties ou des conditions au nom du fabricant. Le client devra assumer tous les coûts de main-d'oeuvre engagés.

Cette garantie sera considérée nulle et non avenue si l'acheteur tente de réparer ou remplacer des pièces mécaniques ou électriques.

Certains états n'autorisent pas l'exclusion ou la limitation de responsabilité pour les dommages fortuits ou consécutifs, aussi les limitations ou exclusions ci-dessus peuvent-elles ne pas vous concerner.

Comment obtenir le service découlant de cette garantie

Dans les limites de cette garantie, l'acheteur en possession d'un appareil défectueux doit prendre contact avec le service client au **800-547-3888** pour obtenir des instructions sur la façon d'obtenir des pièces de rechange dans le cadre de la garantie comme indiqué ci-dessus.

Cette garantie confère des droits spécifiques au client et ce dernier peut également jouir d'autres droits en fonction de la province ou de l'État dans lequel il réside .

Veuillez enregistrer votre produit sur www.essickair.com ou www.AIRCAREproducts.com

AIRCARE®

El Compañero

MESA

HUMIDIFICADOR POR EVAPORACIÓN

MODELO:

CM330A/CM330D

GUÍA DE USO Y CUIDADO

- ▶ Humidistato ajustable
- ▶ Tres velocidades del ventilador
- ▶ Fácil de llenar



CM330AWHT/CM330ABLK
CM330DWHT/CM330DBLK



English.....1
Français.....9

PARA ADQUIRIR PIEZAS Y ACCESORIOS LLAME AL 1.800.547.3888

LA COMODIDAD ESTÁ EN EL AIRE

MEDIDAS DE SEGURIDAD IMPORTANTES

Instrucciones generales de seguridad

LÉALAS ANTES DE USAR SU HUMIDIFICADOR

PELIGRO: significa que si no se respeta la información de seguridad, alguien puede resultar seriamente herido o muerto.

PRECAUCIÓN: significa que si no se respeta la información de seguridad, alguien podría resultar seriamente herido o muerto.

ADVERTENCIA: significa que si no se respeta la información de seguridad, alguien podría resultar herido.

1. Para reducir el riesgo de incendio o descarga eléctrica, este humidificador posee un enchufe polarizado (una espiga es más ancha que la otra). Enchufe el humidificador directamente a un tomacorriente eléctrico de 120 V de corriente alterna (CA). No utilice cables prolongadores. Si el enchufe no encaja completamente en el tomacorriente, inviértalo. Si aún así no encaja, contacte a un electricista calificado para que instale el tomacorriente adecuado. No cambie el enchufe de ninguna manera.
2. Mantenga el cable fuera de las áreas de tránsito. Para reducir el riesgo de peligro de incendio, nunca coloque el cable debajo de alfombras, cerca de fuentes de calor, radiadores, cocinas o calentadores.
3. Desenchufe siempre la unidad antes de mover, limpiar o retirar la parte del módulo del ventilador del humidificador, o cuando no esté funcionando.
4. Mantenga el humidificador limpio. Para reducir el riesgo de lesiones, incendio o daños al humidificador, utilice solamente limpiadores recomendados específicamente para humidificadores. Nunca utilice materiales inflamables, combustibles o tóxicos para limpiar su humidificador.
5. No coloque objetos extraños dentro del humidificador.
6. No permita que la unidad se utilice como un juguete. Se debe prestar especial atención cuando es utilizado por o cerca de niños.
7. Para reducir el riesgo de peligro eléctrico o daño al humidificador, no lo mueva, sacuda ni incline mientras la unidad esté en funcionamiento.
8. Para reducir el riesgo de descargas eléctricas accidentales, no toque el cable ni los controles con las manos húmedas.
9. Para reducir el riesgo de incendio, no lo utilice cerca de una fuente de fuego abierta, como una vela u otra fuente de fuego.

PRECAUCIÓN: Por su propia seguridad, si alguna parte faltara o estuviera dañada, no utilice el humidificador.

PRECAUCIÓN: Para reducir el riesgo de incendio, descarga eléctrica o daños, siempre desconecte la unidad antes de realizar el mantenimiento o la limpieza.

PRECAUCIÓN: Para reducir el riesgo de incendio o electrocución, no vierta ni derrame agua sobre la zona del motor o del control. Si se mojan los controles, déjelos secar completamente y haga revisar la unidad por personal de mantenimiento autorizado antes de conectarla.

INTRODUCCIÓN

Su nuevo humidificador añade humedad invisible a su hogar desplazando aire seco a través de una mecha saturada. A medida que el aire atraviesa la mecha, el agua se evapora en el aire, dejando atrás polvo blanco, minerales o sólidos disueltos o suspendidos. Debido a que el agua se evapora, queda solamente aire húmedo, limpio e invisible.

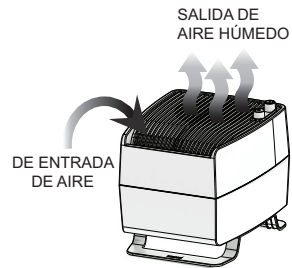
A medida que la mecha de evaporación atrapa los minerales acumulados en el agua, se reduce su capacidad de absorber y evaporar agua. Se recomienda cambiar la mecha al comienzo de la estación. En áreas de aguas duras, deberá reemplazarla con más frecuencia para mantener la eficiencia de su humidificador.

Utilice únicamente mechas de repuesto y químicos AIRCARE® o Essick Air®. Para solicitar piezas, mechas y químicos llame al 1-800-547-3888. Lo humidificador uso mecha N° SGL1040. Sólo la mecha de evaporación AIRCARE® o /Essick Air® garantiza el rendimiento certificado de su humidificador. El uso de mechas de otras marcas anula la certificación de rendimiento y puede anular su garantía.

FUNCIONAMIENTO DE SU HUMIFICADOR

Su nuevo humidificador está diseñado para satisfacer los requisitos de humedad del hogar por medio del principio de evaporación de agua en el aire.

Una vez que el filtro se satura, el aire ingresa, pasa a través del filtro y la humedad es absorbida y liberada en el aire. Toda la evaporación se produce en el humidificador para que cualquier residuo permanezca en el filtro. Este proceso natural de evaporación elimina prácticamente todo el polvo blanco.



Description	CM330
Capacidad de agua	1.6 galones
Cobertura en pies cuadrados	Hasta 1000 (Construcción hermética)
Velocidades del ventilador	3
Rep Mecha de reemplazo	SGL1040
Humidistato ajustable	Si
Registrado por ETL	Si
Voltios	120
Hertz	60
Watts	60

NOTAS SOBRE LA UBICACIÓN:

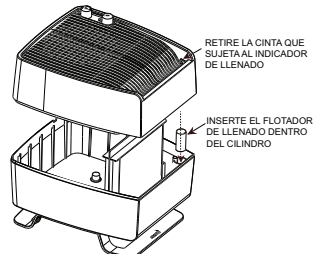
Con el fin de conseguir un uso más efectivo del humidificador, es importante colocar la unidad donde se requiera la mayor cantidad de humedad o en el lugar de la casa donde circulará la mayor cantidad de aire; por ejemplo, cerca de un retorno de aire frío. Si la unidad se coloca cerca de una ventana, puede formarse condensación en el cristal de la ventana. Si esto sucede, se debe colocar la unidad en otro lugar.

NO sitúe la unidad directamente delante de un conducto de aire caliente o radiador. NO coloque la unidad sobre una alfombra mullida. Debido a que el humidificador emite aire frío y húmedo, se recomienda orientar la dirección del aire lejos del termostato y de las rejillas de aire caliente. Coloque el humidificador cerca de una pared interna en un lugar nivelado a 10 centímetros de distancia, como mínimo, de la pared o de las cortinas.

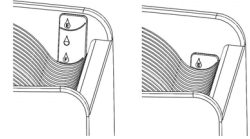
MONTAJE

Desembale el humidificador que se encuentra en la caja. Retire de la caja todos los materiales del embalaje, la mecha, etc.

- 1) El flotador de llenado ha sido pegado con cinta adhesiva dentro de la base, para su envío.
- 2) Retire la cinta e inserte el tubo del flotador de llenado dentro del cilindro en la esquina frontal derecha de la unidad.



COMPLETO VACÍO

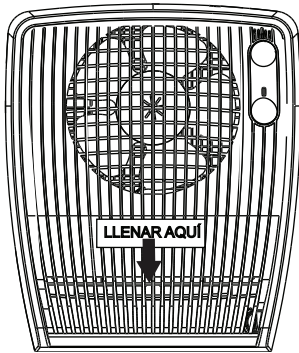


LLENADO DE AGUA

ADVERTENCIA: Antes de realizar el llenado, asegúrese de que la unidad esté **APAGADA y desenchufada.**

Esta unidad presenta un indicador de nivel de agua bajo en la esquina de la rejilla de llenado.

- 1) Para llenar el depósito, vierta el agua cuidadosamente dentro de la parte inclinada de la rejilla frontal.
- 2) La capacidad de la base es de 1,6 galones. **NO LLENE EN EXCESO.**



PRECAUCIÓN: No derrame agua sobre el motor del ventilador. Los componentes eléctricos deben mantenerse secos.

NOTA: Se recomienda utilizar el Tratamiento Antibacteriano AIRCARE® o Essick Air® cuando rellene el depósito de agua para eliminar el desarrollo de bacterias. Añada el bactericida según las instrucciones del envase.

En ninguna circunstancia debe usted usar productos de tratamiento de agua diseñados para humidificadores de rotocorrea o ultrasónicos.

Piezas De Repuesto Disponibles Para Compra

Descripción	Nº de Parte
CM330A WHT (blanco - analógico)	
Perilla de velocidad del ventilador	1B72798F
Perilla de control de la humedad	1B72798H
Chasis	1B72871
CM330A BLK (blanco - analógico)	
Perilla de velocidad del ventilador	1B72794F
Perilla de control de la humedad	1B72794H
Chasis	1B72872
CM330D WHT (blanco - digital)	
Chasis	1B72873
CM330D BLK (negro - digital)	
Chasis	1B72874
COMÚN	
Mecha	SGL1040
Flotador	1B72796

Para encomendar piezas y accesorios, llame al 1-800-547-3888 o visite www.essickair.com o www.AIRCAREproducts.com. Si decide llamar por teléfono, tenga disponible el modelo y el número de serie del humidificador.

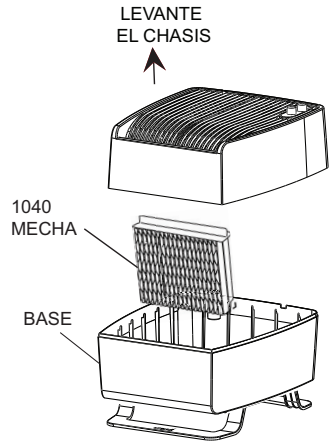
REEMPLAZO DE LA MECHA

ADVERTENCIA: Antes de realizar el llenado, asegúrese de que la unidad esté **APAGADA**.

NOTA: Esta unidad utiliza el modelo de mecha 1040SGL. Reemplace la mecha al comienzo de cada estación, y con mayor frecuencia en áreas con aguas duras.

Desembale el humidificador que se encuentra en la caja. Retire de la caja todos los materiales del embalaje, la mecha, etc.

- 1) El flotador de llenado ha sido pegado con cinta adhesiva dentro de la base, para su envío.
- 2) Retire la cinta e inserte el tubo del flotador de llenado dentro del cilindro en la esquina frontal derecha de la unidad.



ACERCA DE LA HUMEDAD

El punto en el que ajuste los niveles de humedad deseados depende de su nivel de comodidad personal, la temperatura exterior y la temperatura interior.

NOTA: Pruebas recientes de los CDC muestran que las posibilidades de transmisión de la gripe se reducen en gran medida a niveles de 43% de humedad.

Es posible que desee comprar un higrómetro para medir el nivel de humedad en su hogar. El siguiente es un diagrama de ajustes de humedad recomendados.

IMPORTANTE: El agua puede producir daños si comienza a formarse condensación en ventanas o paredes. Debe disminuirse el punto de AJUSTE de la humedad hasta que ya no se forme condensación. Se recomienda que los niveles de humedad de la habitación no excedan el 50%.

Cuando la temperatura exterior es de:		La humedad relativa (HR) interior recomendada es del
°F	°C	
-20	-30°	15 - 20%
-10°	-24°	20 - 25%
2°	-18°	25 - 30%
10°	-12°	30 - 35%
20°	-6°	35 - 40%
30°	-1°	40 - 45%

NOTA: Las lecturas del higrómetro externos y lecturas humidistato pueden ser diferentes. Los niveles de humedad pueden variar significativamente, incluso en una habitación.

CONTROLES Y OPERACIÓN

Conecte el enchufe en un tomacorriente de pared. Su humidificador ya está listo para ser utilizado. El humidificador se debe colocar a DIEZ centímetros, como mínimo, de cualquier pared y lejos de rejillas de calor. Con la libre circulación de aire en la unidad, se obtendrá el mejor rendimiento y funcionamiento.

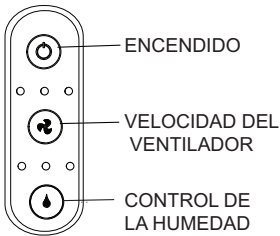
* Modelo 1990 higrómetro digital está disponible para su compra llamando al 1-800-547-3888, o visita www.essickair.com, o www.AIRCAREproducts.com.

MODELOS CM330A (PANEL DE CONTROL ANÁLOGO)



- 1) Encienda la unidad, girando la perilla de velocidad hacia el primer nivel de velocidad.
- 2) Esta perilla de ventilador posee tres configuraciones de velocidad: alta, media y baja. Gire la perilla en sentido horario para decrementar la velocidad.
- 3) La perilla de nivel de humedad está ubicada arriba de la perilla de velocidad del ventilador. Aumente el nivel de humedad, girando la perilla superior en sentido horario.

MODELOS CM330D (PANEL DE CONTROL DIGITAL)



- 1) Encienda la unidad al presionar el botón de encendido (Power).
- 2) Presione el botón del ventilador para seleccionar la velocidad. Las luces indicadoras que se encuentran arriba se encienden para indicar la velocidad baja, media o alta.
- 3) Presione el botón de humedad (Humidity) para aumentar los niveles de humedad. Las luces indicadoras que se encuentran arriba indican la humedad que seleccionó: baja, media o alta.

NOTA: Si se produce condensación excesiva en las paredes o ventanas, reduzca la configuración de la velocidad del ventilador o cambie el humidificador de lugar.

CUIDADOS Y MANTENIMIENTO

Limpiar su humidificador regularmente ayuda a eliminar olores y el crecimiento de bacterias y hongos. El blanqueador doméstico común es un buen desinfectante y se puede usar para reparar la base del humidificador y la botella después de limpiarlos.

Recomendamos limpiar su humidificador por lo menos una vez por semana para mantenerlo con las condiciones ambientales ideales.

También recomendamos usar el Tratamiento Bactericida AIRCARE® o Essick Air® cada vez que rellene su humidificador para eliminar el crecimiento bacteriano. Añadir el bactericida de acuerdo a las instrucciones de la etiqueta. Para encomendar el Tratamiento Bactericida, llamar al 1-800-547-3888 y solicitar el número de repuesto 1970, o visita www.essickair.com, o www.AIRCAREproducts.com.

INSTRUCCIONES DE LIMPIEZA

- 1) Apague la unidad completamente y desconéctela del tomacorriente.
- 2) Separe el armazón de la base y déjelo a un lado. Lleve la base a un lavabo/fregadero.
- 3) Levante la mecha de la base, deje que el agua drene desde la mecha hacia la base y, luego déjala a un lado.

ELIMINACIÓN DEL SARRO

- 4) Vacíe la base dentro del fregadero. Elimine cualquier resto de agua que pueda haber quedado en la base con una esponja.
- 5) Llene la base con agua hasta la línea de LLENADO MÁXIMO y añada 8 oz. (1 taza) de vinagre blanco. Deje que la solución repose por 20 minutos y, luego vacíe el contenido.
- 6) Limpie todas las superficies interiores de la base con un cepillo suave. Humedezca un paño suave con vinagre blanco y limpie la base para eliminar el sarro.
- 7) Enjuague completamente la base con agua dulce y elimine el sarro y la solución de limpieza.

DESINFECCIÓN DE LA UNIDAD

- 8) Llenar la botella de agua y/o base con agua y añadir 1 cucharadita de blanqueador. Mojar solamente todas las superficies de la botella de agua y/o base. Dejar reposar la solución durante 20 minutos, después enjuagar con agua hasta que el olor a blanqueador se haya ido. Limpie el exterior de la unidad y la botella de agua con un paño suave que es humedecido con agua.
- 9) Rellenar la unidad y reensamblarla de acuerdo a las instrucciones de

MONTAJE

ALMACENAMIENTO DURANTE EL VERANO

- 1) Limpiar la unidad como se describe en la sección Cuidados y Mantenimiento.
- 2) Desechar los filtros/mecha usados y el agua del depósito y dejar secar bien el gabinete antes de guardarlo. **No** guardarlo con agua dentro del depósito.
- 3) No almacenar la unidad en sótanos o áreas con alta temperatura, que se produzcan daños.
- 4) Instalar un nuevo meche al comienzo de la temporada.

POLÍTICA DE GARANTÍA LIMITADA DE DOS AÑOS

PARA CUALQUIER RECLAMO RELACIONADO CON LA GARANTÍA ES NECESARIO PRESENTAR EL RECIBO COMO PRUEBA DE COMPRA

Esta garantía se extiende solo al comprador original de este humidificador, siempre y cuando la unidad sea instalada y utilizada en condiciones normales, contra defectos de fabricación y materiales como se detalla a continuación:

- Dos (2) años a partir de la fecha de la venta de la unidad y
- Treinta (30) días para mechas y filtros, que se consideran componentes desechables y deben reemplazarse periódicamente.

El fabricante reemplazará la parte o producto defectuoso, según lo crea conveniente, y se hará cargo de los gastos de envío de la devolución al cliente. Se acuerda que el reemplazo es la única solución que el fabricante tiene disponible. ASIMISMO, HASTA EL GRADO MÁXIMO PERMITIDO POR LA LEY, EL FABRICANTE NO SE HACE RESPONSABLE POR LOS DAÑOS DE CUALQUIER TIPO, INCLUIDOS DAÑOS INCIDENTALES Y EMERGENTES, O LA PÉRDIDA DE GANANCIAS O INGRESOS.

Algunos estados no permiten limitaciones con respecto a cuánto tiempo dura una garantía implícita, por lo tanto es posible que las limitaciones detalladas anteriormente no se apliquen a usted.

Exclusiones de esta garantía

No nos responsabilizamos por el reemplazo de mecheros y filtros.

No nos responsabilizamos por cualquier tipo de daños accidentales o resultantes, producto de cualquier tipo de mal funcionamiento, accidente, mal uso, alteraciones, reparaciones no autorizadas, abuso, incluidos la falta de mantenimiento razonable, uso o desgaste normal, ni en situaciones donde el voltaje conectado sea un 5% mayor al indicado por la placa indicadora.

Las alteraciones que puede sufrir el producto incluyen la sustitución de componentes de marca, incluido, pero no limitado al tratamiento de bacterias y mechas del humidificador.

No nos responsabilizamos por cualquier daño provocado por el uso de suavizantes o tratamientos de agua, químicos o materiales de descalcificación.

No nos responsabilizamos por el costo de las llamadas al servicio para diagnosticar la causa del problema o el cargo de la mano de obra para reparar o reemplazar piezas.

Los empleados, agentes, distribuidores u otras personas no se encuentran autorizados a brindar garantías o condiciones en nombre del fabricante. El cliente será responsable por todos los costos de mano de obra incurridos.

Esta garantía quedará sin validez si el comprador intenta reparar o reemplazar cualquier pieza mecánica o eléctrica.

Algunos estados no permiten la exclusión o la limitación de daños incidentales o resultantes, por lo tanto es posible que las limitaciones o exclusiones detalladas anteriormente no se apliquen a usted.

Cómo obtener servicio bajo esta garantía

Dentro de las limitaciones de la presente garantía, el comprador que tenga unidades fuera de funcionamiento debe comunicarse con el servicio de atención al cliente al **800-547-3888** para obtener instrucciones sobre cómo obtener las piezas de repuesto dentro de la garantía, como se indica anteriormente..

Esta garantía le confiere al cliente derechos específicos. Además, el cliente puede gozar de otros derechos que varían según la provincia o el estado.

Registre su producto en www.essickair.com, o www.AIRCAREproducts.com

AIRCARE®

ESSICK AIR PRODUCTS ♦ 5800 MURRAY ST. ♦ LITTLE ROCK AR. 72209 ♦

800.547.3888